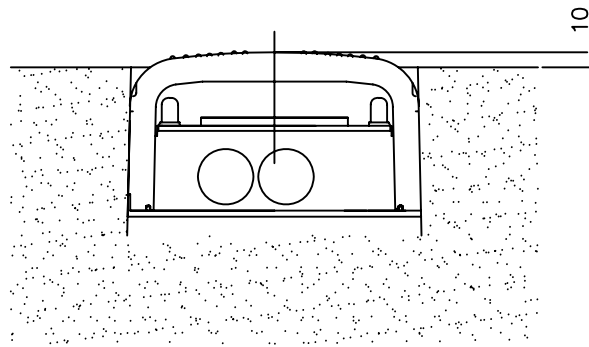
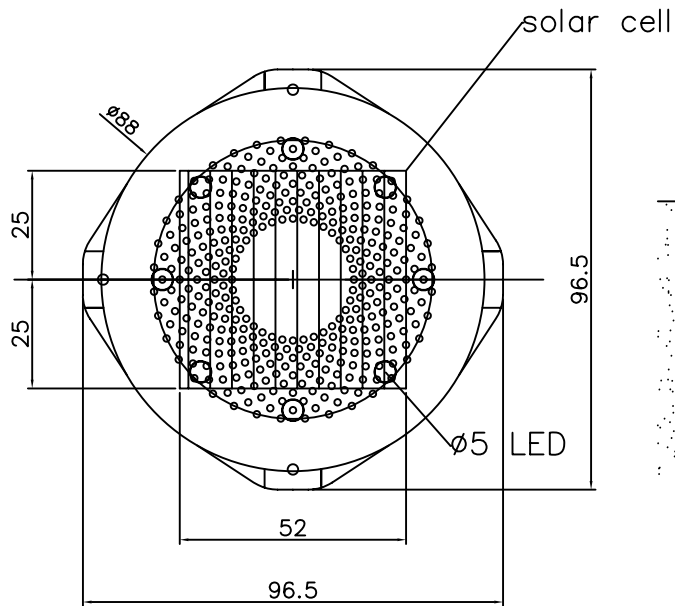
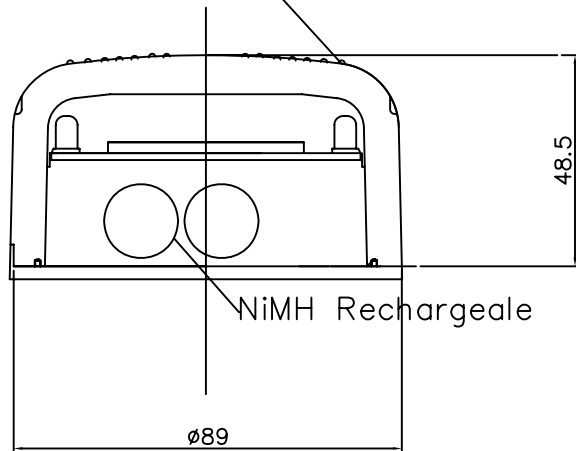


SR204 solar LED Ground



installation Guide

skidproof granule



Reference

Power	Solar Cell	Polycrystalline
	Max. Voltage	2.5V
	Max. Electricity mA	110mA
Power Storage	Battery	NiMH Rechargeable
	Voltage V	1.2
	Capacity Ah	4.0
Lighting works unit	Size mm	As the display
	Lighting Source	8 LEDs RGBYW
	Lighting appears method	consistent/flashing
	Using life	50,000 hours up
	Operation Temperature	-20°C ~ +65°C
	Working Hours hrs/day	10 Hr
	Efficiency mWS	27
	Visibility	300 ft
	Lowest sunshine	6000 Lux
	Fixtures Material & weight	Anti-UV PC/400g
Method of charge	Auto starting/charge	

- 1.IP grade: 68 compressive strength 15Tons
 - 2.Chip testing condition :25°C, 100,000 Lux.
 - 3.Not available charging condition : Average shiny hour less than 3 hours everyday
 - 4.The available back-up timing:7 days continuously without shiny
 - 5.On & off power : 50 Lux ~ 300 Lux.
- The installing site was adjustable & subject to the fixing position & shiny factor.