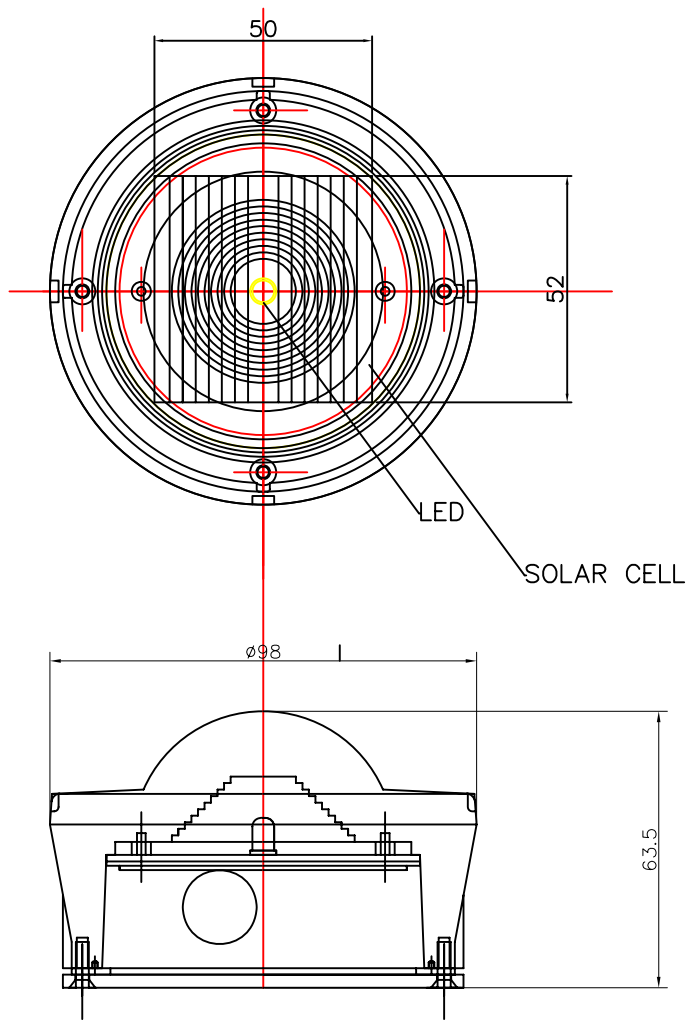


SR-106 Spec.



Power	Solar Cell	Polycrystalline
	Max. Voltage	2.5V
	Max. Electricity mA	90mA
Power Storage	Battery	NiMH Rechargeable
	Voltage V	1.2
	Capacity Ah	2.0
Lighting works unit	Size mm	As the display
	Lighting Source	1 LED RGBYW
	Lighting appears method	flashing
	Using life	100,000 hours up
	Operation Temperature	-20°C~+65°C
	Working Hours hrs/day	10H
	Efficiency mWS	27
	Visibility	400m
	lowest sunshine.	6000 LUX
	Fixtures Material & weight	Anti-UV PC/420g
Method of charge	Auto starting/charge	

1.IP grade: 68

Compressive Test 24000 kgf (CNS13762)

2.Chip testing condition : 25°C, 100,000 Lux.

3.Not available charging condition : Average shiny hour lesser than 2.5 hours per day.

4.The available back-up timing: 7 days continuously without shiny

5.On & off power : 50 Lux ~ 300 Lux.

The installing site was adjustable & subject to the fixing position & shiny factor.